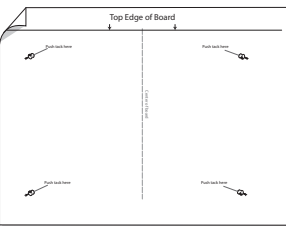
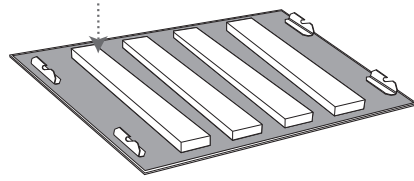
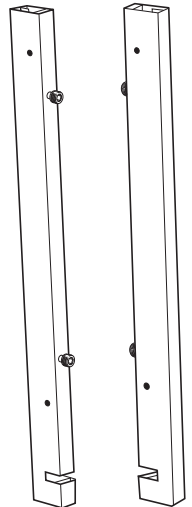

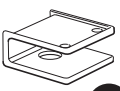
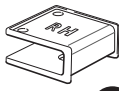

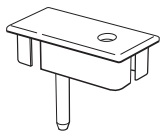

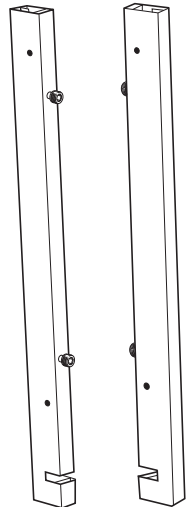








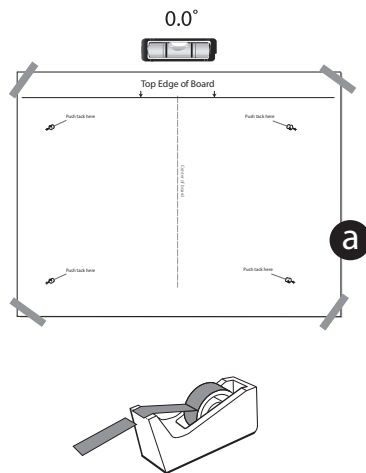
Invisible Mount Glass Board with Side Frames



NOTE: DO NOT REMOVE FOAM PADDING

| | | | |
|--|--|---|--|
|  a 1x |  b 1x |  g 1x h 1x |  i 4x |
|  c 1x |  d 1x | |  j 4x |
|  e 4x |  f 1x |  g 1x h 1x |  k 4x |
| G7442BA - G8548BA | | |  L 4x |
| |  m 1x |  n 1x | |
| |  p 1x |  q 1x | |

1




0.0°

Top Edge of Board

Push back here

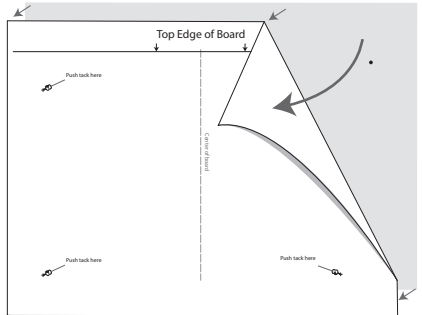
a

2



4x

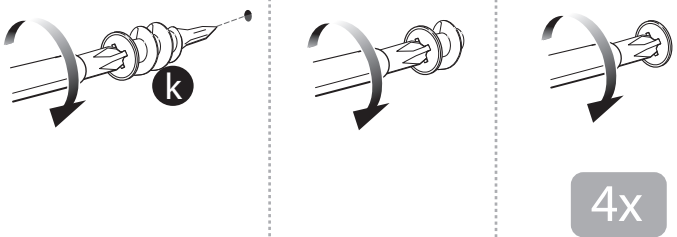
3



Top Edge of Board

Push back here

4



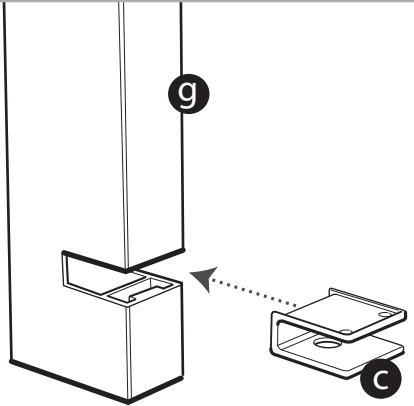
k

p

q

4x

5



g

c



ACCO Brands (Returns Center)
101 Bolton Ave 9E
Booneville, MS 38829 USA
Tel: 800-541-0099
www.acco.com
www.quartet.com

